

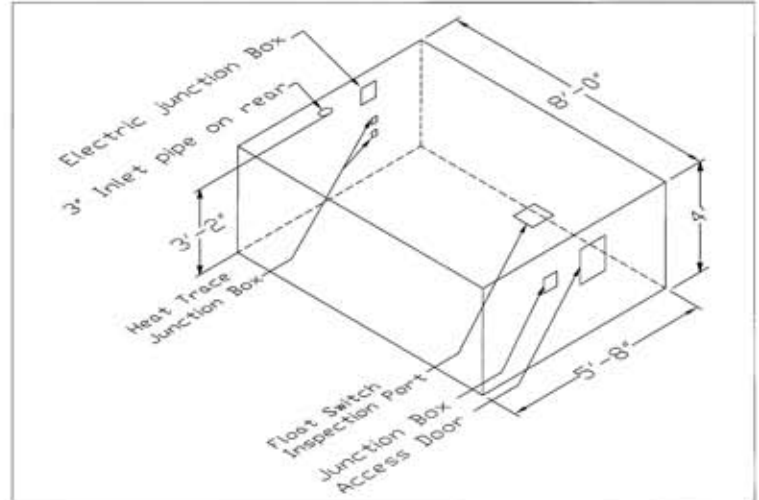
Cowater

530 Gallon Superinsulated Sewage Holding Tank (480 Gallons effective capacity)



Sewage Tank Installed

Note: 280gal. model is shown in the photo.
480gal. model is 6" taller and 1'-6" wider.



Sewage Tank as Supplied

Note: Support timbers are not included.

Description:

This superinsulated sewage holding tank has a total capacity of 530 gallons and an effective capacity of 480 gallons. The tank itself is fabricated from stainless steel and has a 3" inlet on the building side to receive the sewage. The tank is set in foam insulation inside a wooden box. The box is fitted with an access door to allow the tank to be evacuated. The wooden roof with metal covering is provided for units set outside. The ground pad and support timbers are extra. For units underslung beneath the building and supported from the building, no roof is required. The tank box is fitted with electrical wiring servicing the mercury float switch (suspended inside the tank); the tank heat tape attached to the outside of the tank; and power receptacle inside the service door.

Dimensions and Specifications:

Stainless steel tank:

Oval shape 5'-0" wide x 6'-0" long x 3'-0" high.

Thickness 14 GA 304 SS

Superinsulated box;

Overall size 4'-0" high x 5'-8" wide x 8'-0" long.

Minimum thickness of polyurethane insulation: sides 4", bottom 4", top 8".

Plywood box: 5/8" thick CDX-AWW, good-one-side treated plywood.

Inlet pipe: 3" diameter schedule 40 PVC.

Outlet pipe: 2 1/2" diameter Camlock Part A fitting.

Air inlet piping: 3/4" diameter Camlock Part A fitting.

Electrical: switchbox on rear of tank receives wiring to service the following:

Mercury float switch, SJ Electro Systems Inc., Model: Sensor Float Control Switch (#15-SWE-NC) normally closed, 13 amps @ 120 VAC.

Tank heat tape consist of two lengths each 10 ft. long at 3 watts per foot one or both can be connected for 30 watts or 60 watts.

Power receptacle inside service door to operate the blowers for the sewage and water haul tanks. Max. power is 20 amps.

The electrical system is controlled by the electrical control panel mounted inside the house.

Weights:

Empty 1200 lbs.

With 480 gallons sewage, approx. 5400 lbs.